

ROBOGUARD 12 VOLT POWER SUPPLY



Introduction

The 12 volt power supply is used to supply 12 volts to Roboguard products. It is generally used to power a siren connected to a Roboguard HQ. It can also be used to supply power to the uRx, uTx or repeater station.

The unit has a 1,3Ah battery that needs to be charged with an external 16 volt charger.

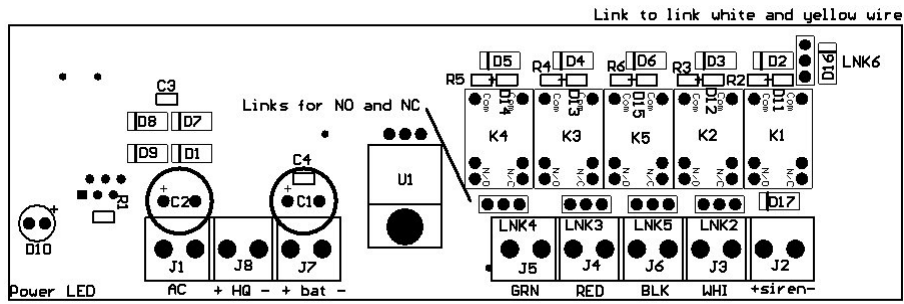
The unit has a 12 volt DC output cable to connect power to the HQ. A Telecable with connectors on either end is used to connect the output ports of the HQ to the power supply.

The HQ outputs are all connected to relays that can be configured NO or NC via jumpers between the relays and screw terminals.

Siren Wiring

To connect a siren, wire the positive wire of the siren into siren+ and the negative wire of the siren into siren -.

Please note: The unit is not waterproof. If it is being used to power a repeater station or other remote products, outdoors, it needs to be under cover or in a waterproof box.



Note:

Set the HQ to have NO outputs.

The LED's on the power supply board should be OFF in the non triggered state. The Output of the power supply board has jumpers to make the outputs NO or NC. (This method greatly reduces the current consumption)

To enter the programming mode on the HQ:

1. Disconnect 12Volt power and the battery after opening the HQ.
2. Hold down both the Tamper and Status buttons and connect the 12Volt power supply until you hear a beep. Release the buttons. Both red lights will flash and the default Setting 3, ON.
3. Select a Setting 1,2,3,4 from the two tables.
4. Press and release the Tamper button to accept. HQ will beep 10 times and all the lights will flash. Reconnect the battery and replace the cover.

OUTPUT FORMAT 1			
	Setting 1= N/O	Setting 3 = N/C (Default)	
White	Zone 1		
Black		Zone 2	
Red			Zone 3
Green			Zone 4

OUTPUT FORMAT 2			
	Setting 2= N/O	Setting 4 = N/C	
White	Zone1234		
Black		Tamper	
Red			Status
Green			Panic/Silent